

# TECHNICAL DATA – BALL PIG

## Pipe and pig dimensions

DIN				Ball-segment pig – Long			Ball-segment pig – Short		
DN	Pipe dimension	Inner Ø	kg	Overall length (L)	Diameter (D)	Sealing length (L1)	Overall length (L)	Diameter (D)	Sealing length (L1)
40	41 x 1,5	38,0	1,1	91,5	38,5	55,0	70,0	38,5	35,0
50	53 x 1,5	50,0	2,0	109,0	50,7	62,0	95,0	50,7	48,0
65	70 x 2,0	66,0	3,4	140,0	66,8	80,0	122,0	66,8	60,0
80	85 x 2,0	81,0	5,2	182,5	81,8	105,0	150,0	81,8	76,0
100	104 x 2,0	100,0	7,9	225,0	101,0	130,0	180,0	101,0	91,0

All dimensions in mm. Product loss is approx. liters or kg per linear meter (lfm).

## Features

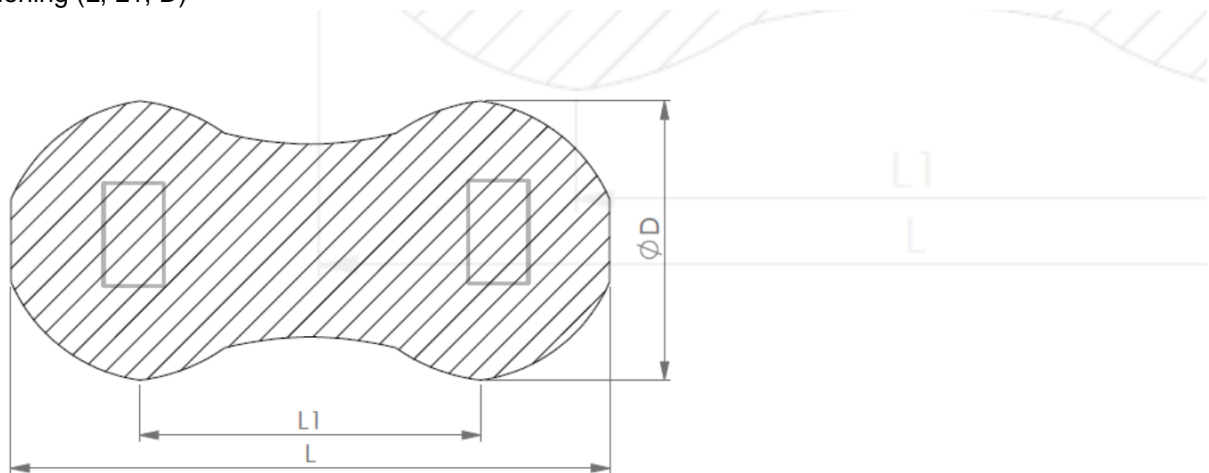
### General features



- **Size range:** DN 25 – DN 125
- **Standard:** DIN, ISO\*, INCH\*
- **Materials:** Silicone, Viton

\* on request

### Dimensioning (L, L1, D)



RMK VALVE Inc.

Tel : +1 437 430 3201 - +90 532 623 8910 . info@rmkvalve.com . www.rmvalve.com